

- Ⓢ **HALOGENSTRÅLKASTARE**
- Ⓝ **HALOGENLYSKASTER**
- ⒹⓀ **HALOGENPROJEKTØR**
- ⒻⓃ **HALOGENIVALONHEITIN**



HALOGEN FLOODLIGHT INSTRUCTION

IMPORTANT SAFETY INFORMATION

- This appliance is only suitable for fixed mounting.
- The floodlight may not be used on a mast(pole).
- Ensure that the mains voltage is switched off before mounting the halogen floodlight.
- Fix the appliance, out of reach (2,5 m) by 2 screws of minimum 6 mm and maximum 7 mm length.
- Respect a minimum distance of 1 meter between the appliance and the object or surface which has to be lightened (fig.3).
- The lightning direction can not be adjusted to down ward.
- For applications of normal inflammable surfaces follow the instructions of fig.2
- Do not mount the projector on the ceiling.
- Use approves supply cable H05RN-F 3X1,0 mm². Make sure that the grommet is used to ensure that the housing remains waterproof.
- Connect the yellow/green conductor of the connection supply cable with the connection block, marked with the earthing symbol (fig.1)
- Mount the other wires into the connector block. See marks N and L (fig.1)
- When the halogen lamp has to be changed, switch off the mains voltage before opening the lid.
- Fix now the halogen lamp in the lampholder. Halogen lamps should not be touched with bare hands.
- Replace cracked protection glass immediately.
- The halogen lamp in this fitting will burn through quickly if the fitting is fixed under an angle of more than 4°.
- In doubt, consult a qualified election.

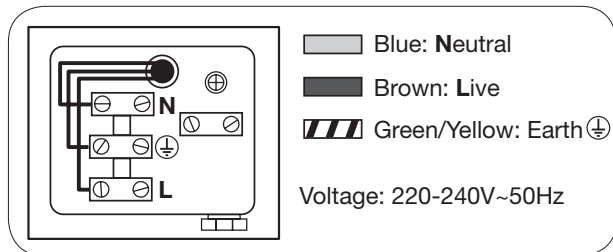


Fig.1

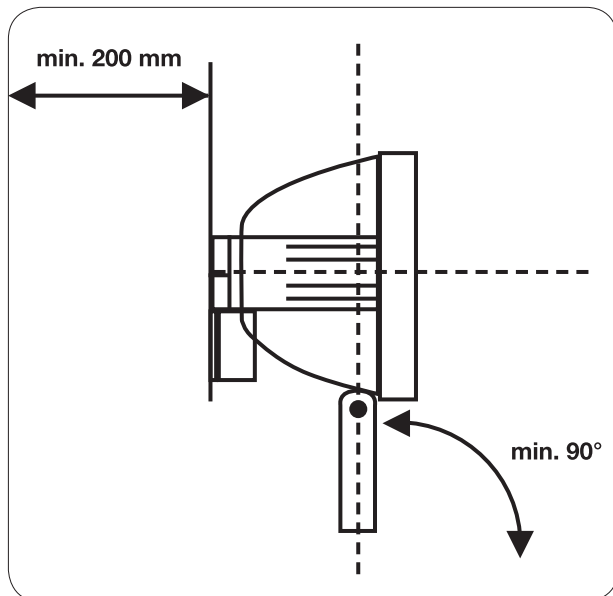


Fig.2

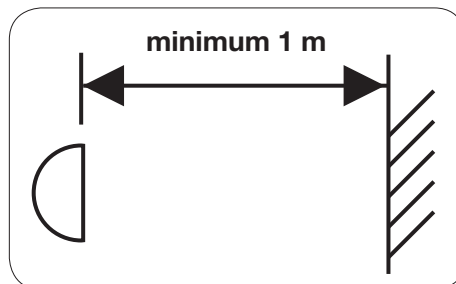


Fig.3

